

SELECT DRINK

espresso

americano

café  
macchiato

café  
latte

cappuccino

café  
mocha

chocolate

hot  
water

K  
O  
R  
O



## Koro - a touch of class

*To truly enjoy a fresh cup of coffee, we find it helps if you close your eyes, inhale, take in the aroma and then take pleasure in the taste of a great cup of coffee. It all forms part of the ritual of drinking coffee. In everyday life, at work or during free time, we always find the right moment to indulge in this great little pleasure.*

*The Koro dispenser comes from the technology and experience of Necta. With soft clean lines, the Koro offers typically elegant classic Italian design, aesthetically pleasing the machine provides excellent value for money yet benefits from being technically superior. Koro is extraordinarily compact and reliable, due to the use of the highest quality components, normally used in dispensers that support much heavier workloads.*



*Thanks to its characteristics, Koro is ideal for environments such as offices, meeting rooms, stores, professional studios, small cafés and restaurants, and can be managed in a variety of ways.*

## Superior technology to satisfy every need

If it's style and sophistication you're looking for, Koro has the answer. Thanks to the different technologies for preparing drinks, Koro represents the ideal solution for a hot drinks service of high quality, with a menu to satisfy every taste.



### Espresso

Thanks to the patented coffee group, the volumetric doser and the perfect extraction according to the parameters of the best Italian espresso, Koro offers excellent coffee and mixed beverages, including a wonderful cappuccino.

### Fresh Brew

The Sigma Brewer (patented) guarantees very high quality beverages, through the high extraction of the coffee and tea.

### Instant

The mixers produce a first-rate drink with a good emulsion and perfect crème.



## Simple and stylish

Style and simplicity are synonymous with the Koro and its ease of use is down to the simple display and conveniently situated buttons, directing the user in their choice of preferred beverage. Koro has a wide selection menu and can offer up to eight different drinks, and through its versatility it is at home in any situation. The Koro is incredibly small (only 20 inches/50 cm high) and light, making it easy to position and move.

## Easy maintenance and cleaning

The Koro's cleaning and maintenance system is simplicity itself. The optimisation of the mixer's parts (only three components), the suction of dust through a small built-in drawer, and the dust conveyor make cleaning operations quick and simple. Mixers are easy to remove by using the green coloured release system. The Sigma brewer in the fresh brew version is easily removable without tools and can be completely disassembled and cleaned. It also has a special filter perfect both for coffee and tea based beverages.

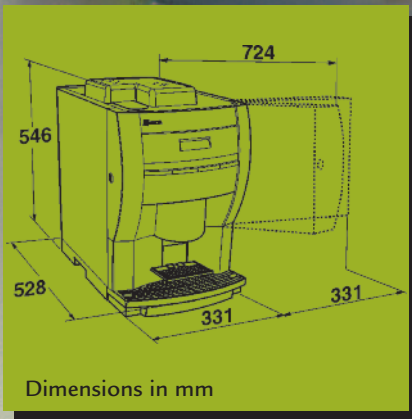
## Accessories

In order to suit every client's requirements, a complementary range of accessories is available including:

- Super-equipped base cabinet with solid and liquid waste containers plus cups/sugar/stirrers holders
- Payment system module
- Cup holder module
- Cup warmer
- 20 lt. water self feeding tank (only when ordered with base cabinet)
- Water filter kit



- We were first in the business to achieve ISO 14001
- We lead the way with lean, green production processes
- Avex 2007 Awards Best Sustainability award
- Vending Paris 2008 Awards Best Sustainable Development & the Environment
- We apply Life Cycle Product Design
- We adhere to a stringent Environmental Management System
- We adopt product Life Cycle Assessment
- We're proud to be a member of the EMP committee



### Espresso

<b>Drinks delivered</b>	Espresso Americano Black Coffee Café macchiato Café latte Cappuccino White Coffee Hot Water
<b>Hourly output</b>	70 espresso coffee 60 cappuccinos 10 litres of hot water
<b>Ingredients capacity</b>	Coffee beans 0.35 kg Coffee bean ext. 0.75 kg Whitener 0.65 kg
<b>Weight</b>	27 kg
<b>Appr. number of coffees before refilling</b>	100 cups

### Instant

<b>Drinks delivered</b>	Espresso Americano Café macchiato Café latte Cappuccino Café mocha Chocolate Hot water
<b>Hourly output</b>	120 cups 80 cappuccinos 100 chocolates 31 litres of hot water
<b>Ingredients capacity</b>	Soluble coffee 0.25 kg Whitener 0.65 kg Chocolate 0.65 kg
<b>Weight</b>	27 kg
<b>Appr. number of coffees before refilling</b>	150 cups

### Fresh Brew

<b>Drinks delivered</b>	Espresso Americano Café macchiato Café latte Cappuccino White Coffee Hot Water
<b>Coffee version</b>	Filtered black coffee Stronger filtered black coffee Filtered white coffee Café latte Cappuccino Café mocha Chocolate Hot water
<b>Tea version</b>	Black leaf tea Stronger black leaf tea White leaf tea Espresso Americano Café latte Cappuccino Hot water
<b>Hourly output</b>	150 cups 80 cappuccinos 100 chocolates 31 litres of hot water
<b>Ingredients capacity</b>	Ground coffee 0.35 kg Freshbrew tea 0.4 kg Soluble coffee 0.25 kg Whitener 0.65 kg Chocolate 0.65 kg
<b>Weight</b>	27 kg
<b>Appr. number of coffees before refilling</b>	50 cups

Espresso Version



Instant Version



Fresh Brew Version



## A matter of experience.

N&W has been developing and producing automatic beverage dispensers for the Out-of-Home and Catering sectors for many years and supplies over 100 countries. This market leadership has been achieved and maintained by investing heavily in research and development and is the result of many years of technical and manufacturing experience, combined with a passion for innovation and design.

N&W HoReCa products are developed and produced using processes approved to two internationally recognised standards, one for quality - UNI EN ISO 9001:2008 - and one for the environment - UNI EN ISO 14001:2004. N&W is committed to providing the market with first-class high quality products and the quality certification of all its plants underlines this significant commitment. With regard to the environment, N&W has always paid great attention to the environmental impact of its products and processes and continuously strives to keep this to a minimum.

A further important certification achieved by N&W is supplied by IMQ, Istituto Italiano del Marchio di Qualità (Italian Quality Trademark Institute). This certification assures all N&W products meet the home appliance safety standards as well as the safety standards for commercial dispensers.



**N&W GLOBAL VENDING Ltd.**  
P.O. Box 25, Dudley Street  
Bilston  
West Midlands WV14 0LF  
Ph. +44 (0)1902 355 000  
Fax +44 (0)1902 402 272

[www.nwglobalvending.co.uk](http://www.nwglobalvending.co.uk)

**N&W GLOBAL VENDING S.p.A.**  
Via Roma 24 - 24030 Valbrembo (BG) - Italy  
Ph. +39 035 606 111  
Fax +39 035 606 463



**N&W**